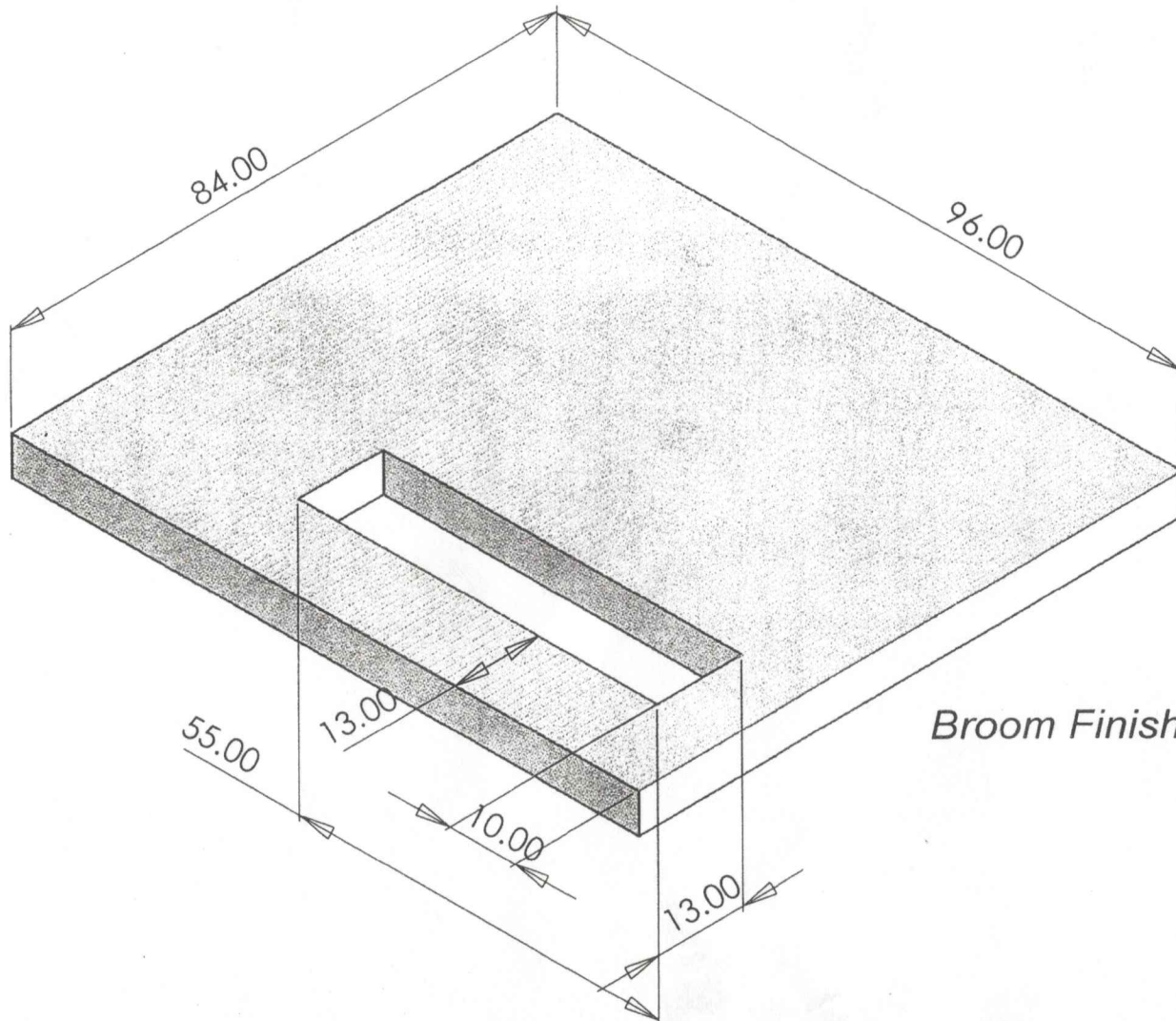


Dalmaray Concrete Products Inc.

Transformer Pad I



Serv. Size - 208Y/120

100-1200 AMPS

Serv. Size - 480Y-277

100-600 AMPS

XFMR - 75-500 KVA

Weight - 5000 lbs

Broom Finish