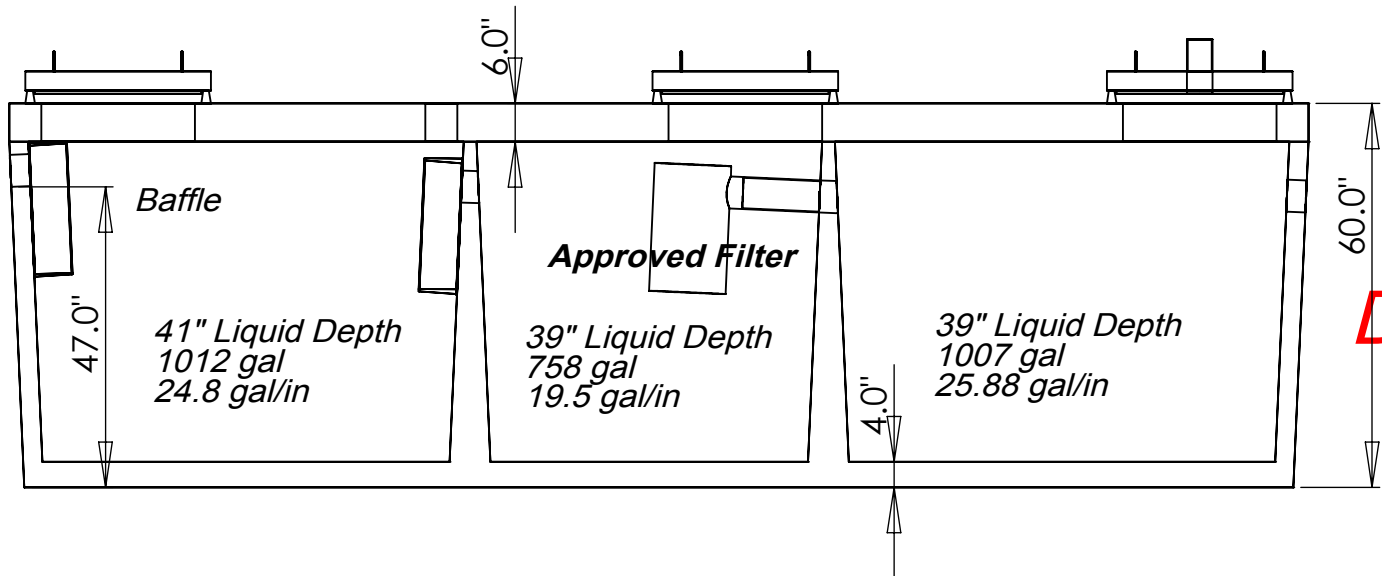


**Dalmaray Concrete
Products Inc.
Tank Model
1000/750/1000**

Model 1000/1000/750 Septic/Septic/Pump
or Siphon, Septic, Pump, or Holding

1335 GPD WHEN USED AS
A SEPTIC/SEPTIC/SEPTIC TANK

852 GPD WHEN USED AS
A SEPTIC/SEPTIC/PUMP OR
SIPHON TANK
--BASED ON 3 YR INTERVAL



DIMENSIONS:

LENGTH - 203"

WIDTH - 96"

HEIGHT - 60"

BELOW INLET - 47"

TANK WEIGHT - 16800 lb.

LID WEIGHT - 10200 lb.

MAX DEPTH OF BURY 108"

**Dalmaray Concrete
Products Inc.**

405 S. Arch St.

Janesville, WI 53548

(608)-752-6507

Toll Free: (888)-222-4541

Fax: (608)-752-5671

www.dalmarayconcreteproducts.com
sales@dalmarayconcreteproducts.com