

Dalmaray Concrete Products Inc.

Tank Model 1000/300/750

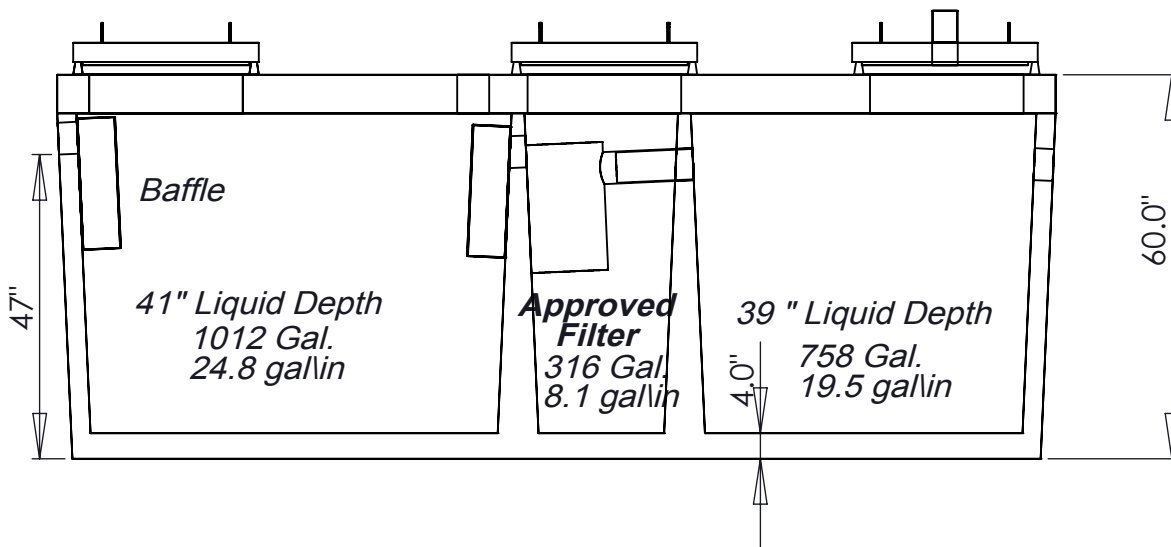
Model 1000/300/750 Septic/Septic/Pump Siphon, or Septic

DIMENSIONS:

- LENGTH - 156"
- WIDTH - 96"
- HEIGHT - 60"
- BELOW INLET - 47"
- TANK WEIGHT - 13560 lb.
- LID WEIGHT - 7800 lb.
- MAX DEPTH OF BURY 108"

1002 GPD WHEN USED AS A SEPTIC/SEPTIC/SEPTIC TANK

638 GPD WHEN USED AS A SEPTIC/SEPTIC/PUMP OR SIPHON TANK
--BASED ON 3 YR INTERVAL



Dalmaray Concrete Products Inc.

405 S. Arch St.
Janesville, WI 53548
(608)-752-6507
Toll Free: (888)-222-4541
Fax: (608)-752-5671
www.dalmarayconcreteproducts.com
sales@dalmarayconcreteproducts.com