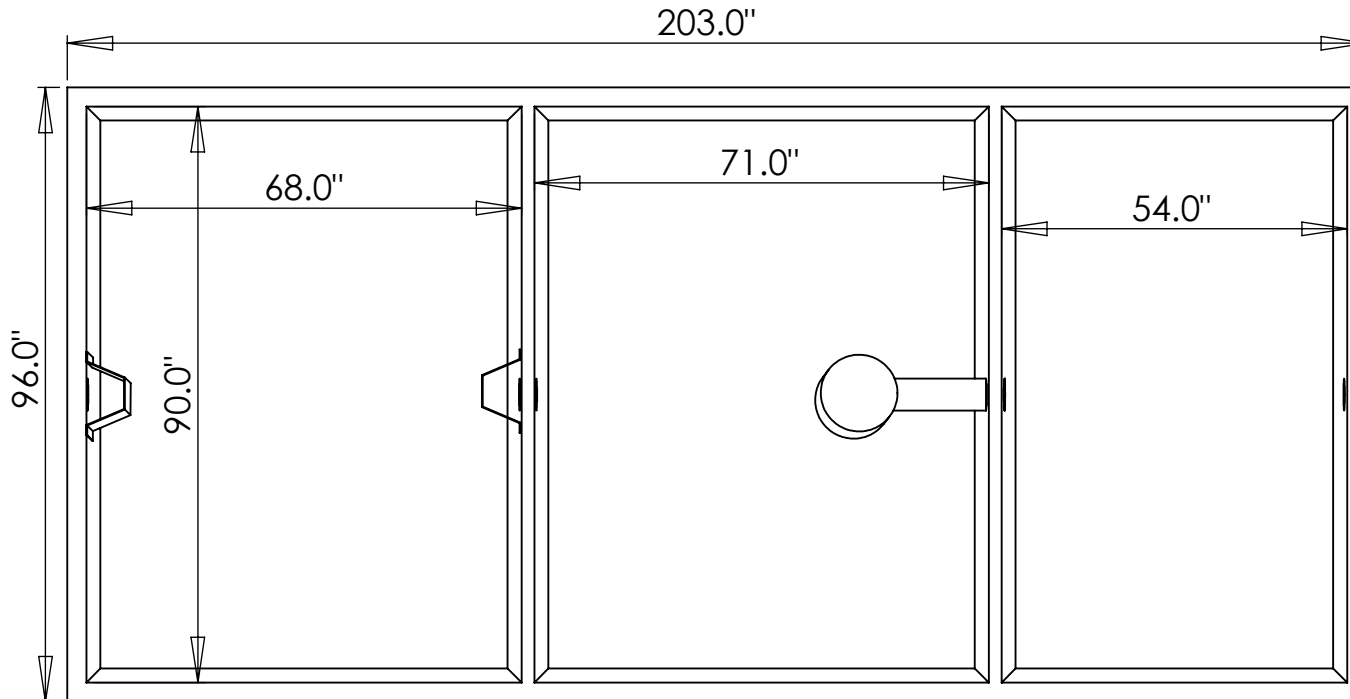


Dalmaray Concrete Products Inc.

Tank Model 1000/1000/750



Model 1000/1000/750 Septic/Septic/Pump or Siphon, Septic, Pump, or Holding

1335 GPD WHEN USED AS A SEPTIC/SEPTIC/SEPTIC TANK

967 GPD WHEN USED AS A SEPTIC/SEPTIC/PUMP OR SIPHON TANK
--BASED ON 3 YR INTERVAL

DIMENSIONS:

LENGTH - 203"

WIDTH - 96"

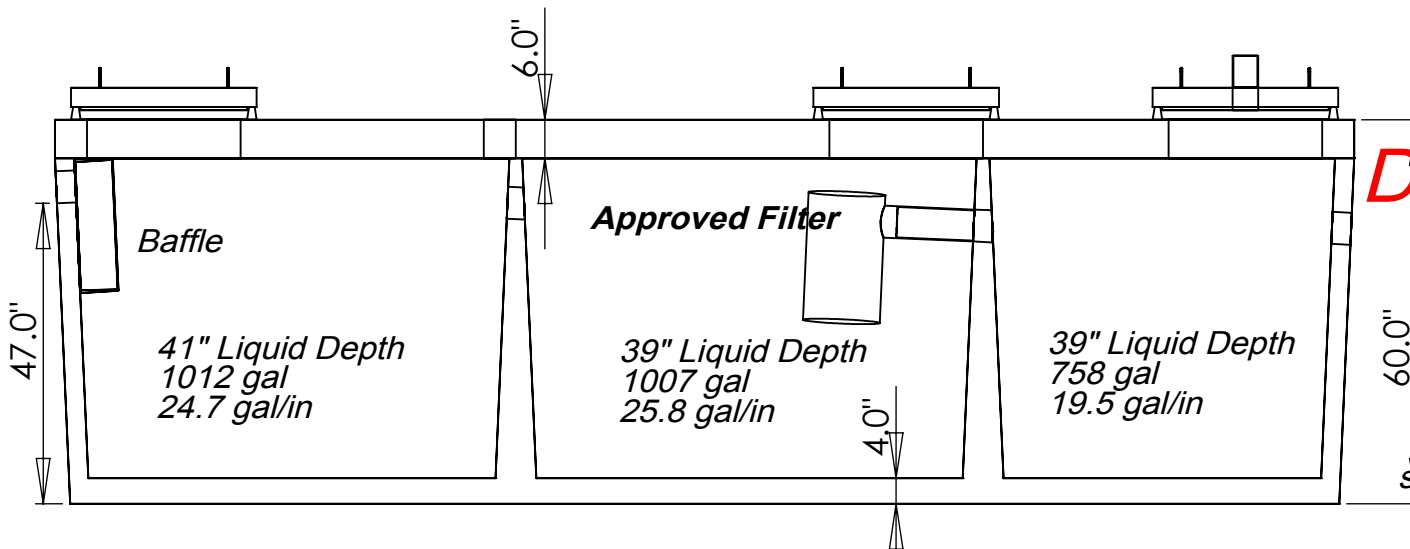
HEIGHT - 60"

BELOW INLET - 47"

TANK WEIGHT - 16800 lb.

LID WEIGHT - 10200 lb.

MAX DEPTH OF BURY 108"



Dalmaray Concrete Products Inc.

405 S. Arch St.
Janesville, WI 53548
(608)-752-6507

Toll Free: (888)-222-4541

Fax: (608)-752-5671

www.dalmarayconcreteproducts.com
sales@dalmarayconcreteproducts.com