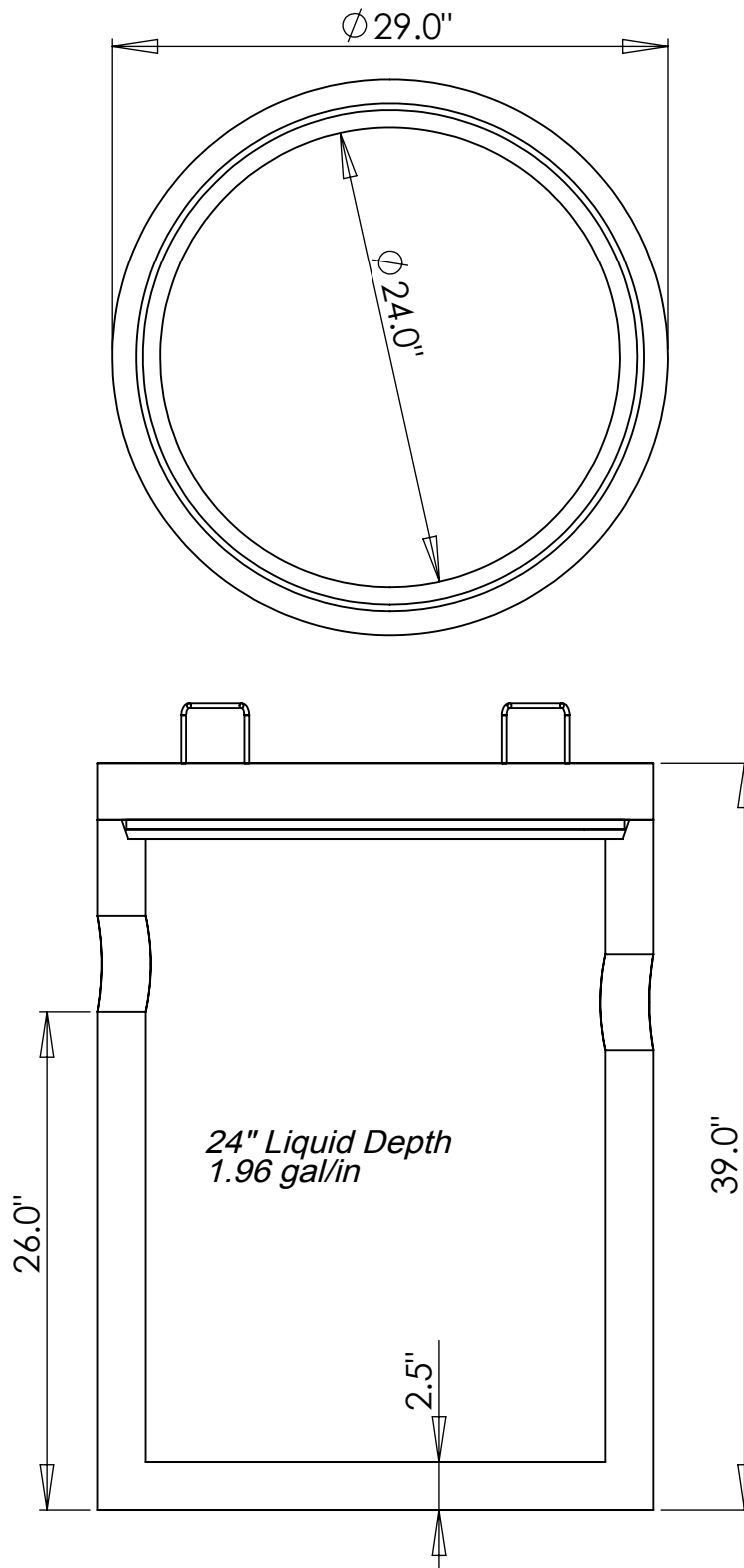


Dalmaray Concrete Products Inc.

Tank Model 46

Model 46 Sedimentation
46 gallons



DIMENSIONS:

DIAMETER - 29"
HEIGHT - 39"
BELOW INLET - 26"
TANK WEIGHT - 780 lb.
LID WEIGHT - 160 lb.
MAX DEPTH OF BURY 108"



405 S. Arch St.
Janesville, WI 53548
(608)-752-6507
Toll Free: (888)-222-4541
Fax: (608)-752-5671
www.dalmarayconcreteproducts.com
sales@dalmarayconcreteproducts.com