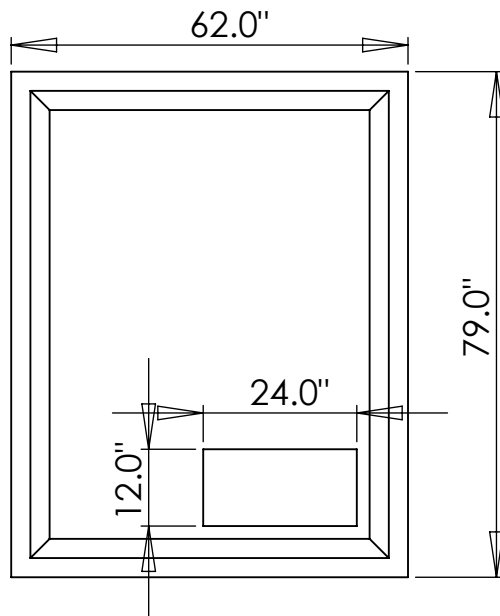


Dalmaray Concrete Products Inc.

300 Gallon Containment Vessel



-Min Compressive Strength of 5000 psi

-Fully Reinforced Vessel

-Siphon Arrangement Provide for Removal of Water and Spilled Petroleum

-3" Thick Walls

