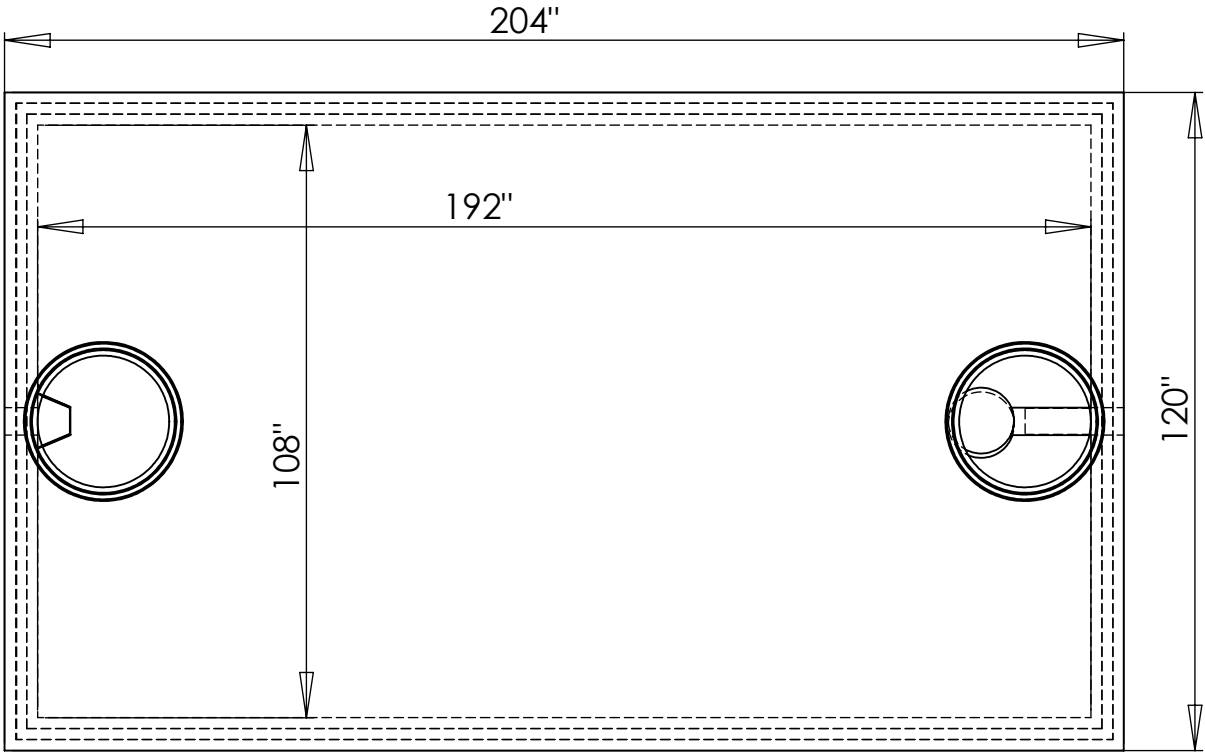


Dalmaray Concrete Products Inc.

Tank Model 3000 Low Pro



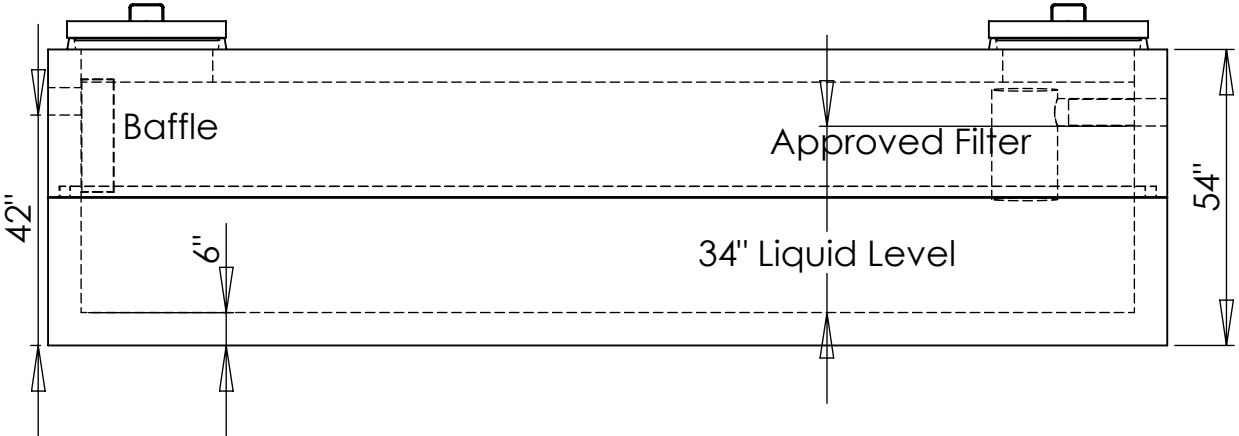
Model 3000 Low Profile Septic, Holding, or Grease Interceptor

*1462 GPD WHEN USED AS A SEPTIC
BASED ON 3 YR SERVICE INTERVAL*

*3052 gal septic
3231 gal holding
89.8 gal/in*

DIMENSIONS:

- LENGTH - 204"*
- WIDTH - 120"*
- HEIGHT - 54"*
- BELOW INLET - 42"*
- BOTTOM SECTION WEIGHT - 22395 lb.*
- TOP SECTION WEIGHT - 22395 lb.*
- MAX DEPTH OF BURY 108"*



405 S. Arch St.
Janesville, WI 53548
(608)-752-6507
Toll Free: (888)-222-4541
Fax: (608)-752-5671
www.dalmarayconcreteproducts.com
sales@dalmarayconcreteproducts.com