

# Dalmaray Concrete Products Inc.

## Tank Model 2600 Grease Interceptor

Model 2600 Grease Interceptor

2614 gal. septic  
2738 gal. holding

1251 GPD WHEN USED AS A SEPTIC TANK  
BASED ON A 3 YR SERVICE INTERVAL

**DIMENSIONS:**

LENGTH - 176"

WIDTH - 92"

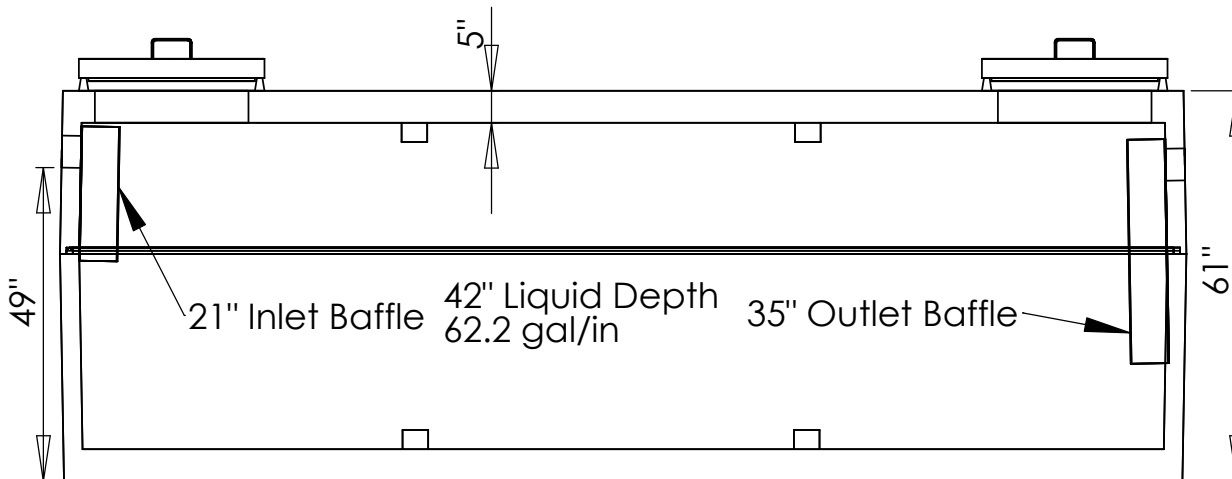
HEIGHT - 61"

BELOW INLET - 49"

BOTTOM SECTION WEIGHT - 12500 lb.

TOP SECTION WEIGHT - 11200 lb.

MAX DEPTH OF BURY 108"



# Dalmaray Concrete Products Inc.

405 S. Arch St.  
Janesville, WI 53548  
(608)-752-6507  
Toll Free: (888)-222-4541  
Fax: (608)-752-5671