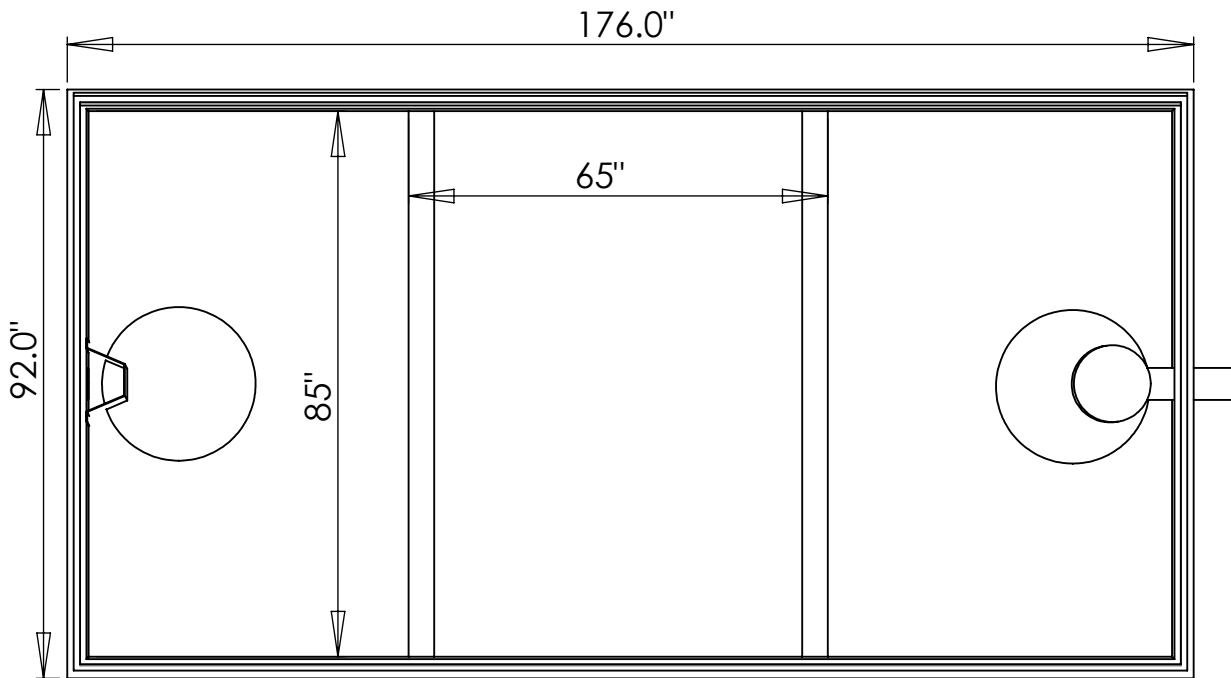


Dalmaray Concrete Products Inc.

Tank Model 2600

Model 2600 Septic, Holding, Pump, or Siphon, or Grease Interceptor
 2614 gal. septic
 2738 gal. holding

1251 GPD WHEN USED AS A SEPTIC TANK
 BASED ON A 3 YR SERVICE INTERVAL



DIMENSIONS:

LENGTH - 176"

WIDTH - 92"

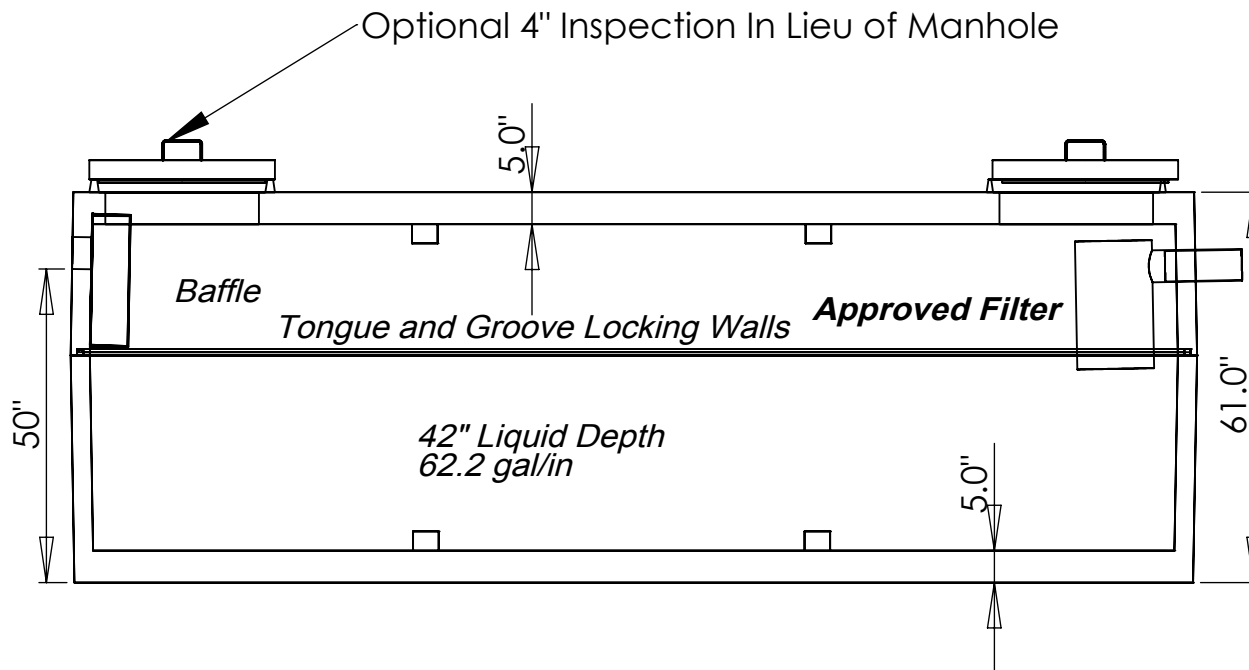
HEIGHT - 61"

BELOW INLET - 50"

BOTTOM SECTION WEIGHT - 12500 lb.

TOP SECTION WEIGHT - 11200 lb.

MAX DEPTH OF BURY 108"



405 S. Arch St.
 Janesville, WI 53548
 (608)-752-6507
 Toll Free: (888)-222-4541
 Fax: (608)-752-5671
www.dalmarayconcreteproducts.com
sales@dalmarayconcreteproducts.com