

Dalmaray Concrete Products Inc.

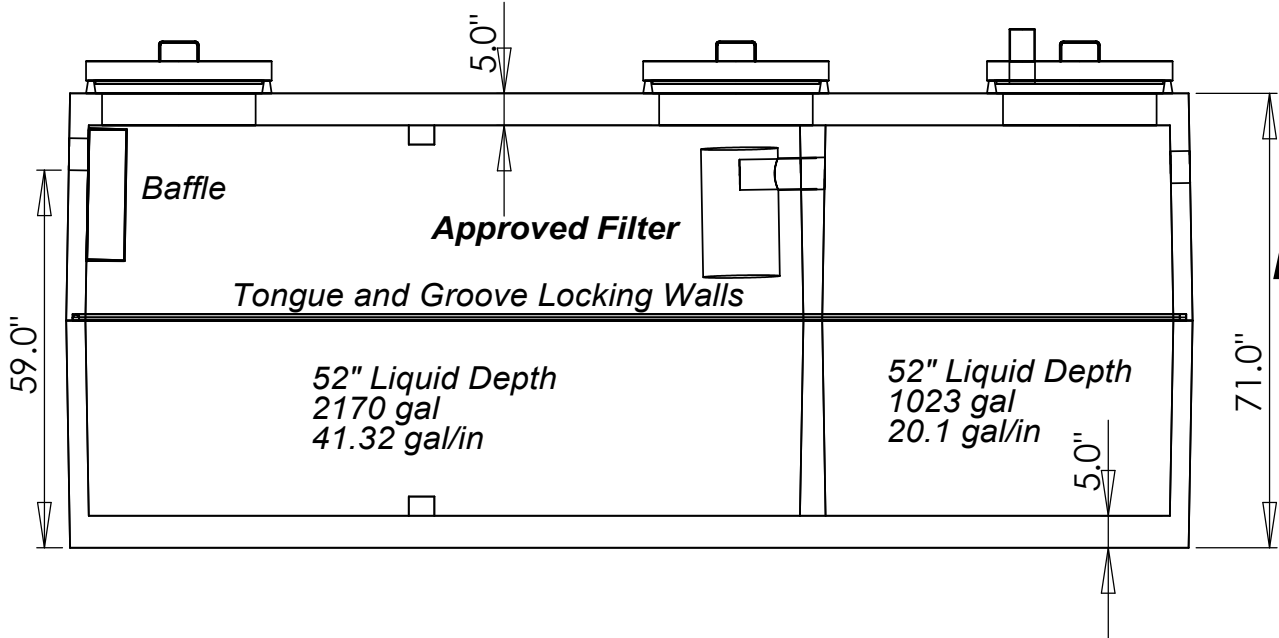
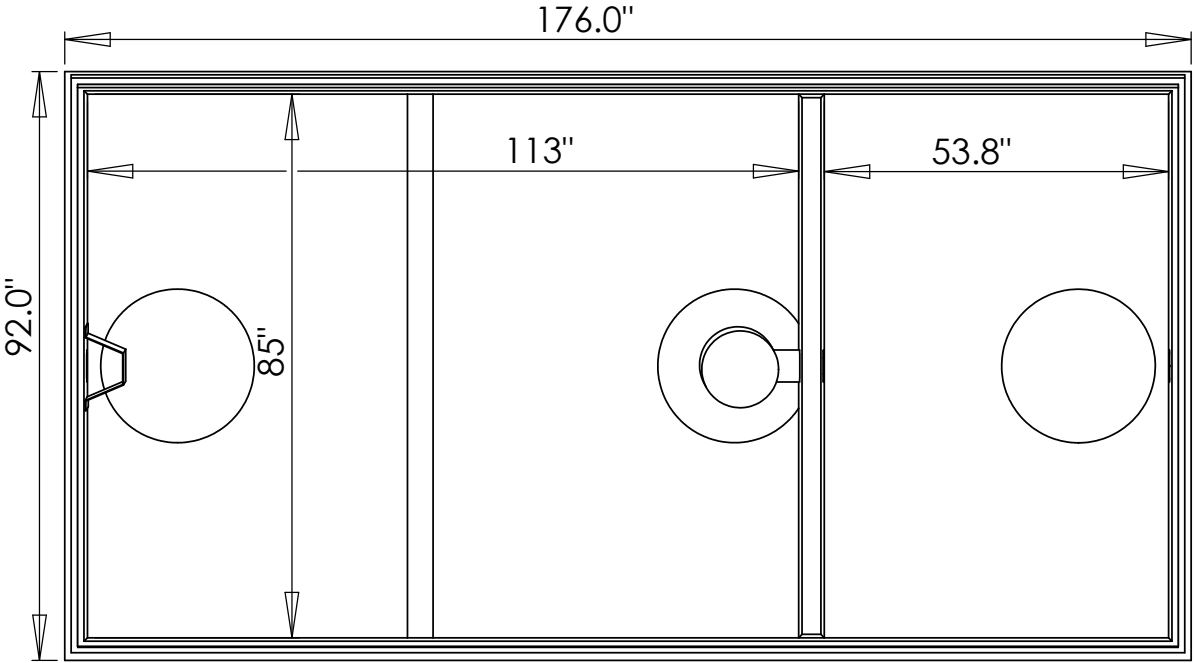
Tank Model 2000/1000

Model 2000/1000 Septic/Septic,
Septic/Pump, Septic/Siphon, Holding,
or Grease Interceptor

1530 GPD WHEN USED
AS A SEPTIC/SEPTIC TANK
1029 GPD WHEN USED
AS A SEPTIC/SIPHON TANK
BASED ON A 3 YR SERVICE INTERVAL

DIMENSIONS:

LENGTH - 176"
WIDTH - 92"
HEIGHT - 71"
BELOW INLET - 59"
BOTTOM SECTION WEIGHT - 12500 lb.
TOP SECTION WEIGHT - 12500 lb.
MAX DEPTH OF BURY 108"



Dalmaray Concrete Products Inc.

405 S. Arch St.
Janesville, WI 53548
(608)-752-6507
Toll Free: (888)-222-4541
Fax: (608)-752-5671