

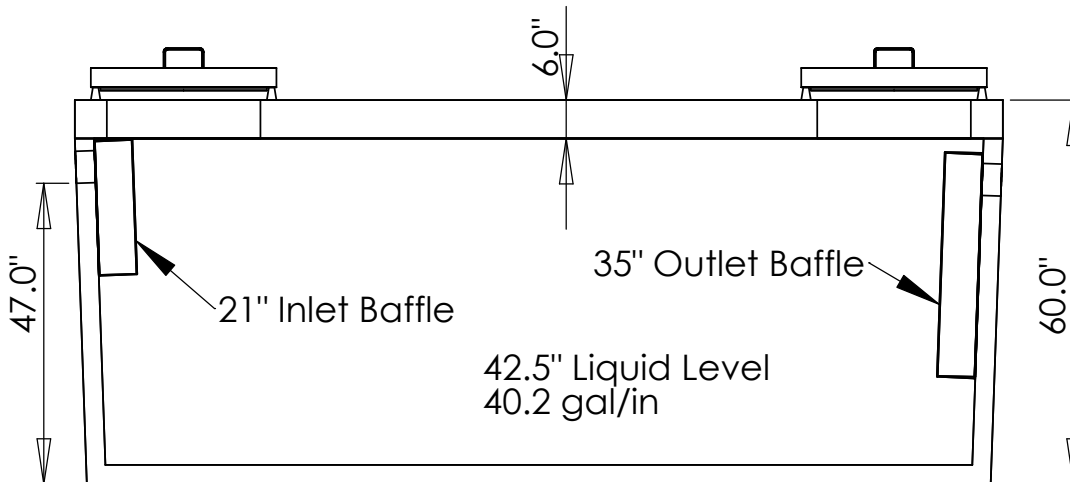
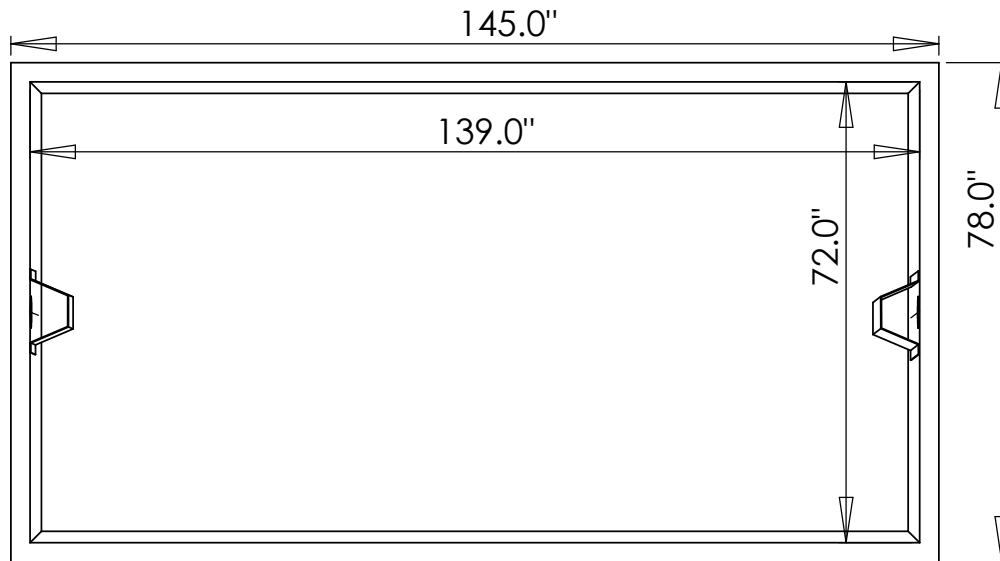
Dalmaray Concrete Products Inc.

Tank Model 1650 Grease Interceptor

Model 1650 Grease Interceptor

1710 gal. septic
1790 gal. holding

818 GPD WHEN USED AS A SEPTIC TANK
BASED ON A 3 YR SERVICE INTERVAL



DIMENSIONS:

LENGTH - 145"

WIDTH - 78"

HEIGHT - 60"

BELOW INLET - 47"

TANK WEIGHT - 8900 lb.

LID WEIGHT - 6000 lb.

MAX DEPTH OF BURY 108"

Dalmaray Concrete Products Inc.

405 S. Arch St.
Janesville, WI 53548
(608)-752-6507
Toll Free: (888)-222-4541
Fax: (608)-752-5671