

# Dalmaray Concrete Products Inc.

## Tank Model 1000 Grease Interceptor

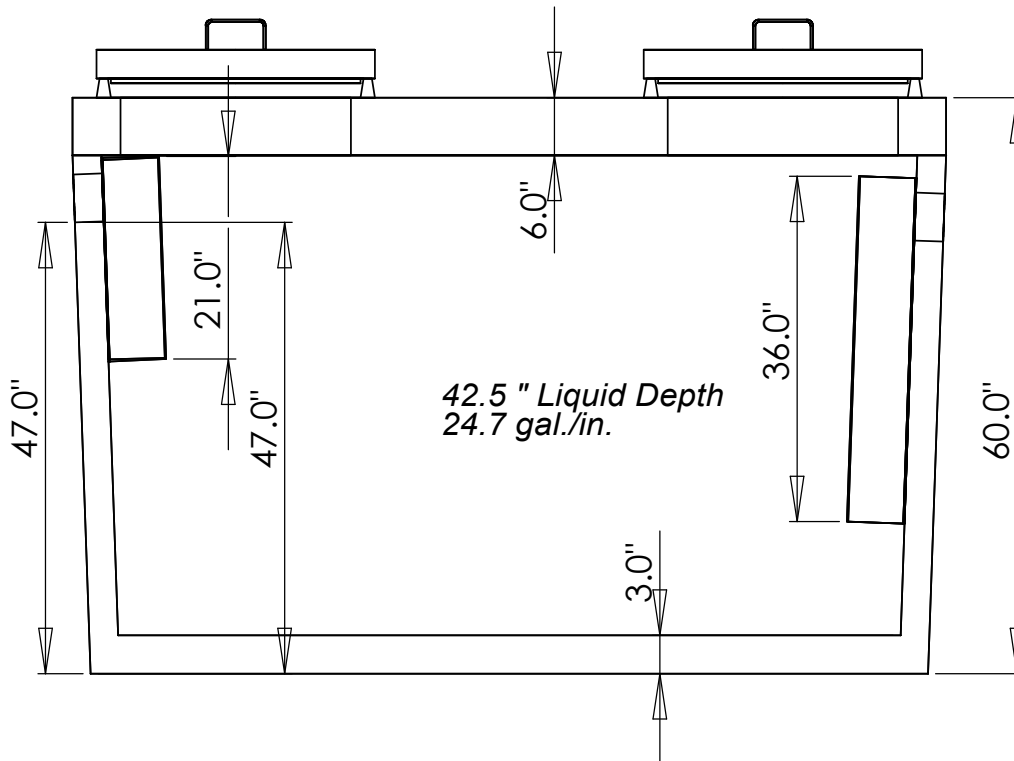
Model 1000 Grease Interceptor

1048 gal. septic  
1098 gal. holding

493 GPD WHEN USED AS A SEPTIC TANK  
BASED ON A 3 YR SERVICE INTERVAL

### **DIMENSIONS:**

- LENGTH - 91"
- WIDTH - 78"
- HEIGHT - 60"
- BELOW INLET - 47"
- TANK WEIGHT - 5900 lb.
- LID WEIGHT - 3780 lb.
- MAX DEPTH OF BURY 108"



# Dalmaray Concrete Products Inc.

405 S. Arch St.  
Janesville, WI 53548  
(608)-752-6507  
Toll Free: (888)-222-4541  
Fax: (608)-752-5671