

Dalmaray Concrete Products Inc.

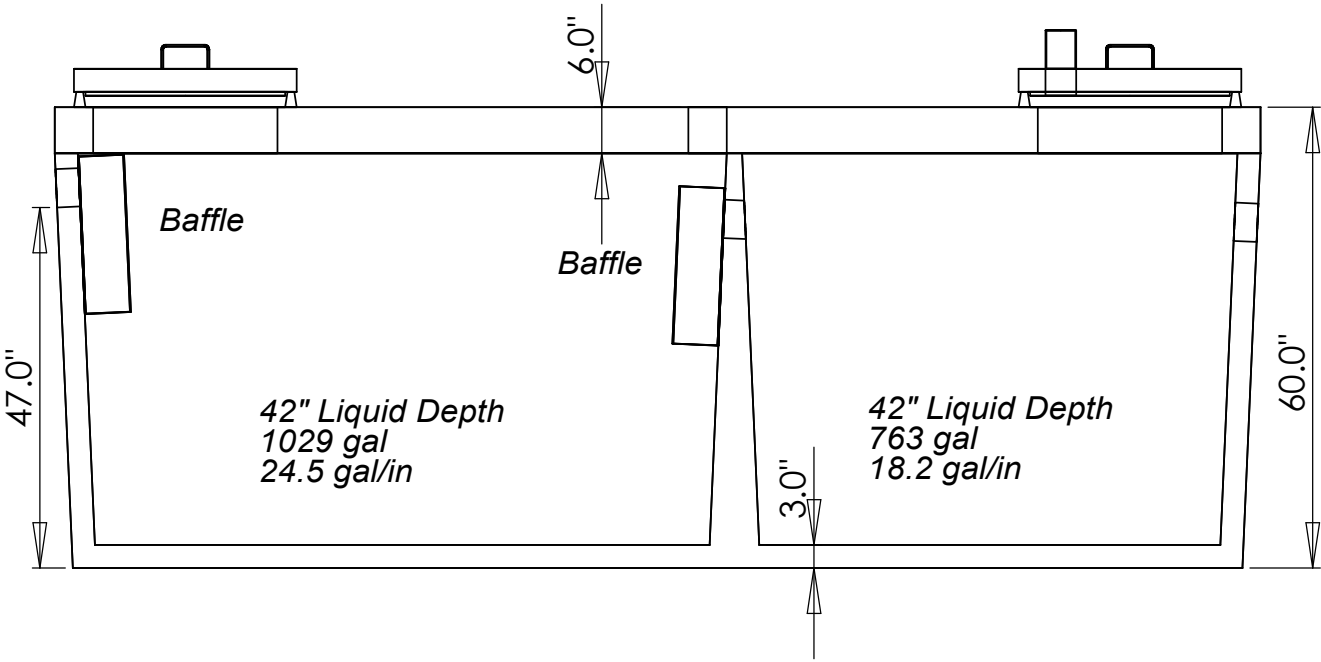
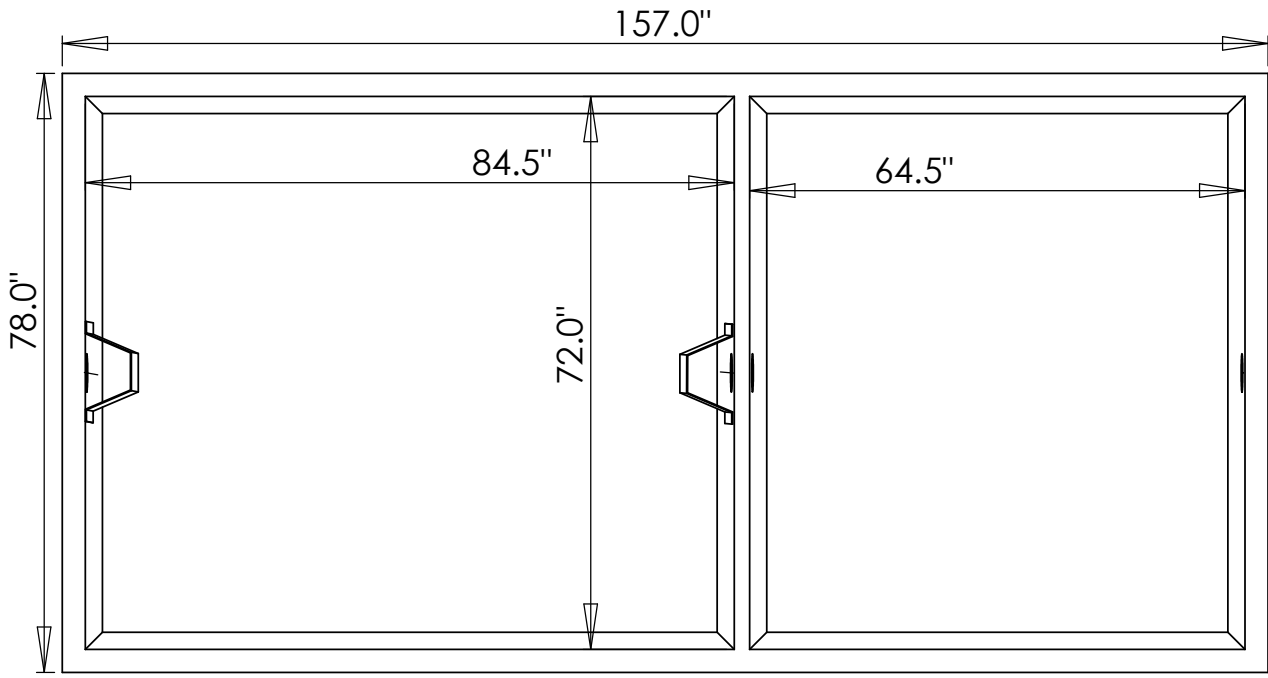
Tank Model 1000/750

Model 1000/750 Septic/Septic,
Septic/Pump, Septic/Siphon, Holding,
or Grease Interceptor

859 GPD as Septic/Septic
493 GPD as Septic/Pump or Siphon

DIMENSIONS:

- LENGTH - 157"
- WIDTH - 78"
- HEIGHT - 60"
- BELOW INLET - 47"
- TANK WEIGHT - 11200 lb.
- LID WEIGHT - 6500 lb.
- MAX DEPTH OF BURY 108"



Dalmaray Concrete Products Inc.

405 S. Arch St.
Janesville, WI 53548
(608)-752-6507
Toll Free: (888)-222-4541
Fax: (608)-752-5671