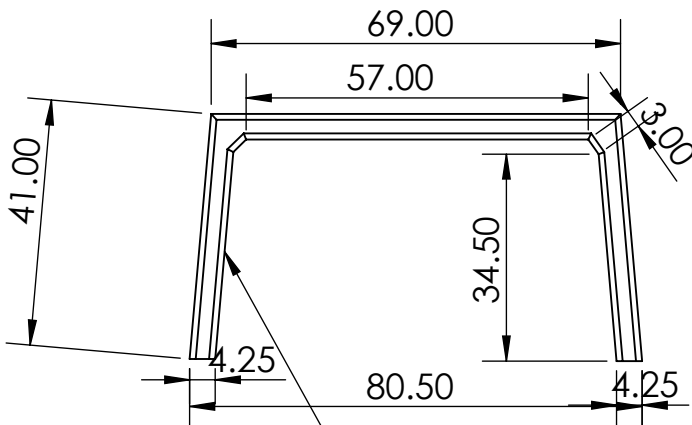


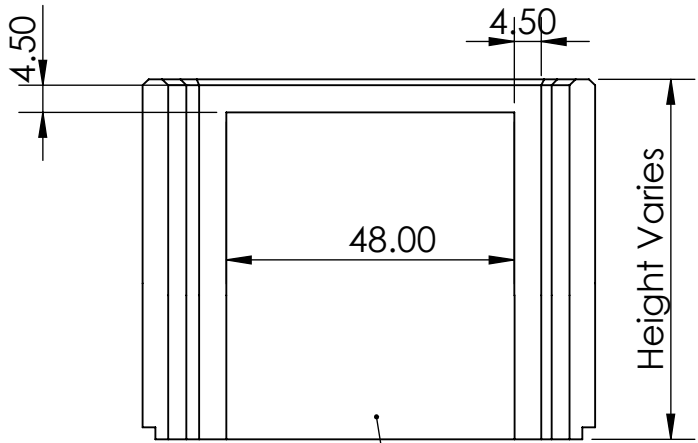
Window Well Dimensional Drawing



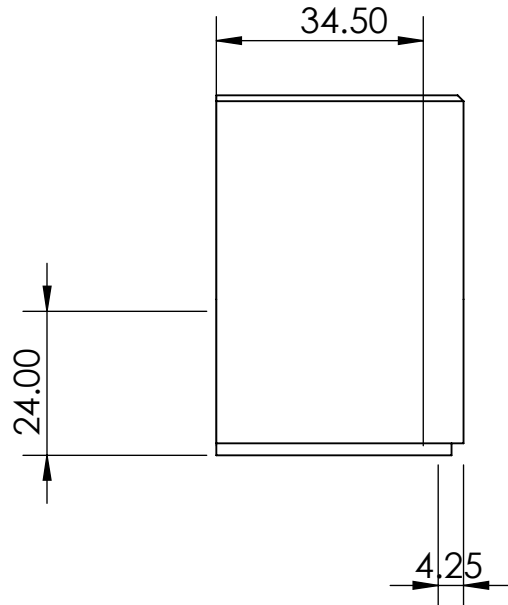
Minimum 5000 psi Concrete



Ladder Rungs on Either Side



Pattern Face



Site Preparation

- Footprint is 81" x 41"
- Excavation Should 12" Wider and Longer Than Footprint
- Foundation Should Be Cured
- Installation Must Be Done Before Insulation and Waterproofing

PROPRIETARY AND CONFIDENTIAL
 THE INFORMATION CONTAINED IN THIS DRAWING IS THE SOLE PROPERTY OF Dalmaray Concrete Products. ANY REPRODUCTION IN PART OR AS A WHOLE WITHOUT THE WRITTEN PERMISSION OF Dalmaray Concrete Products IS PROHIBITED.

		UNLESS OTHERWISE SPECIFIED:		NAME	DATE
		DIMENSIONS ARE IN INCHES	DRAWN	AJA	3-13
		TOLERANCES:	CHECKED		
		FRACTIONAL ±	ENG APPR.		
		ANGULAR: MACH ± BEND ±	MFG APPR.		
		TWO PLACE DECIMAL ±	Q.A.		
		THREE PLACE DECIMAL ±	COMMENTS:		
		INTERPRET GEOMETRIC TOLERANCING PER:			
		MATERIAL			
		FINISH			
NEXT ASSY	USED ON				
APPLICATION		DO NOT SCALE DRAWING			

TITLE:		
Window Well Dimensional Drawing		
SIZE	DWG. NO.	REV
A		
SCALE: 1:32	WEIGHT:	SHEET 1 OF 1