

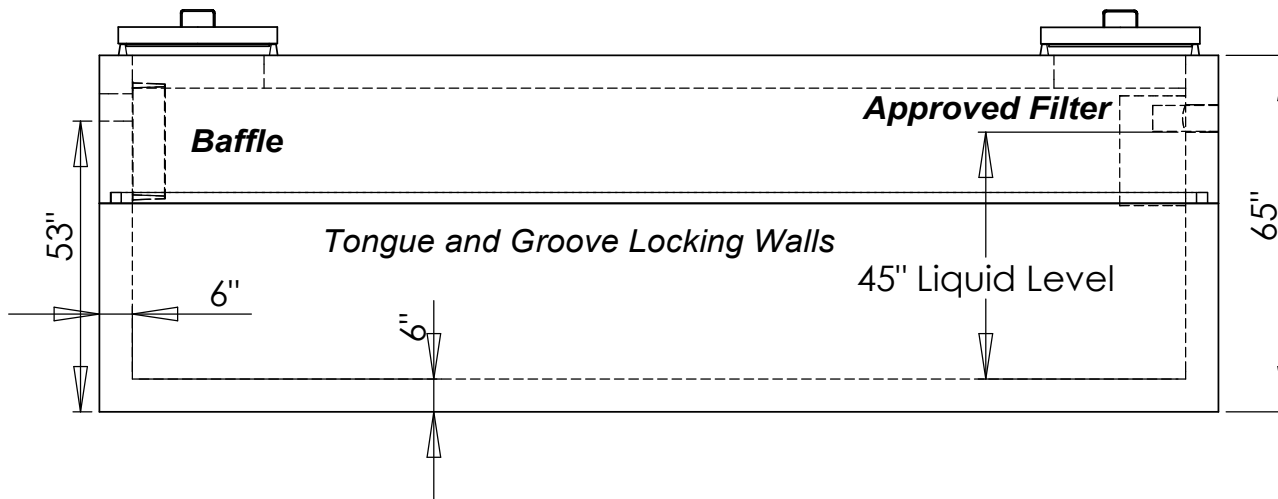
Dalmaray Concrete Products Inc. Tank Model 4000

Model 4000 Septic, Holding, or Grease
Interceptor

4039 gal septic
4219 gal holding
89.8 gal/in

DIMENSIONS:

LENGTH - 204"
WIDTH - 120"
HEIGHT - 65"
BELOW INLET - 53"
BOTTOM SECTION WEIGHT - 24000 lb.
TOP SECTION WEIGHT - 22395 lb.
MAX DEPTH OF BURY 108"



Dalmaray Concrete Products Inc.

405 S. Arch St.
Janesville, WI 53548
(608)-752-6507
Toll Free: (888)-222-4541
Fax: (608)-752-5671
www.dalmarayconcreteproducts.com