

# Dalmaray Concrete Products Inc. Tank Model 3000 Low Pro

Model 3000 Low Profile Septic, Holding,  
or Grease Interceptor

3052 gal septic  
3231 gal holding  
89.8 gal/in

### **DIMENSIONS:**

LENGTH - 204"

WIDTH - 120"

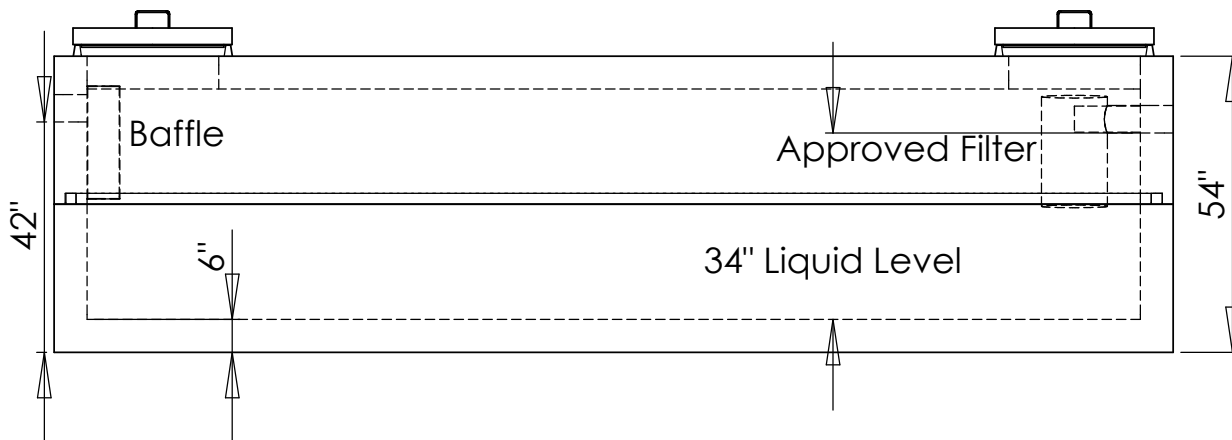
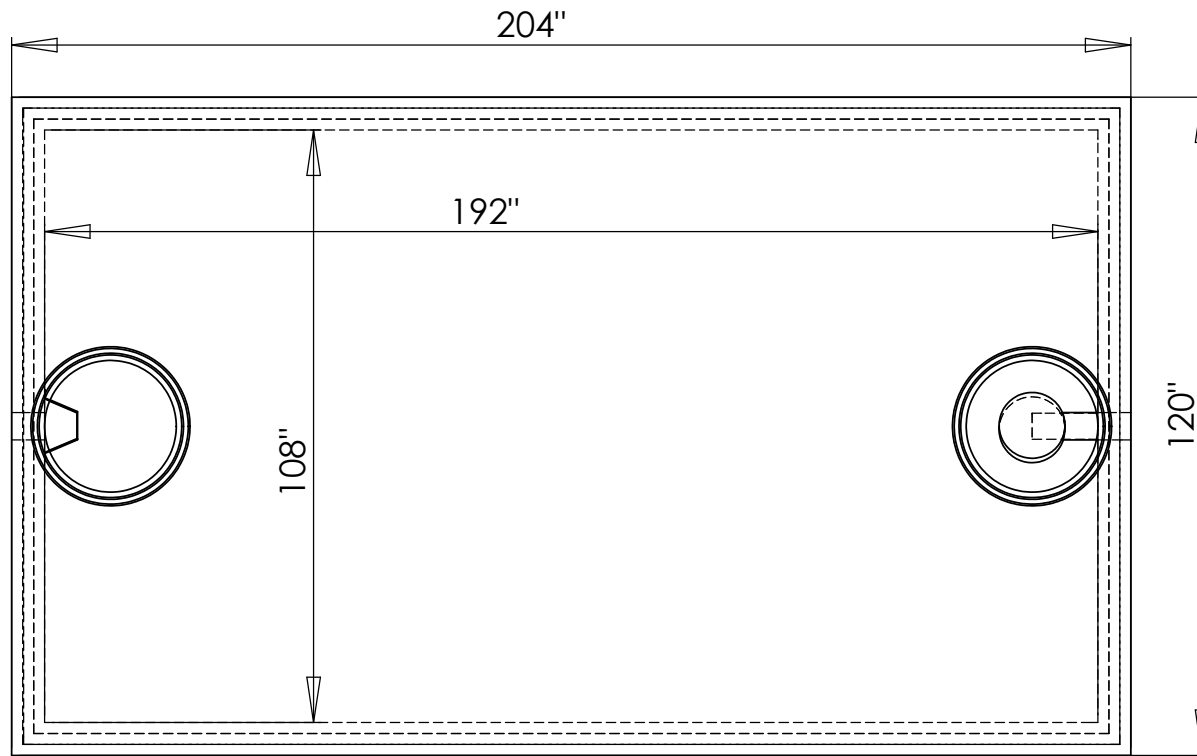
HEIGHT - 54"

BELOW INLET - 42"

BOTTOM SECTION WEIGHT - 22395 lb.

TOP SECTION WEIGHT - 22395 lb.

MAX DEPTH OF BURY 108"



# Dalmaray Concrete Products Inc.

405 S. Arch St.  
Janesville, WI 53548  
(608)-752-6507  
Toll Free: (888)-222-4541  
Fax: (608)-752-5671  
[www.dalmarayconcreteproducts.com](http://www.dalmarayconcreteproducts.com)