

Dalmaray Concrete Products Inc.

Tank Model 3200 Grease Interceptor

Model 3200 Grease Interceptor

3232 gal. septic
3356 gal. holding

1549 GPD WHEN USED AS A SEPTIC TANK
BASED ON A 3 YR SERVICE INTERVAL

DIMENSIONS:

LENGTH - 176"

WIDTH - 92"

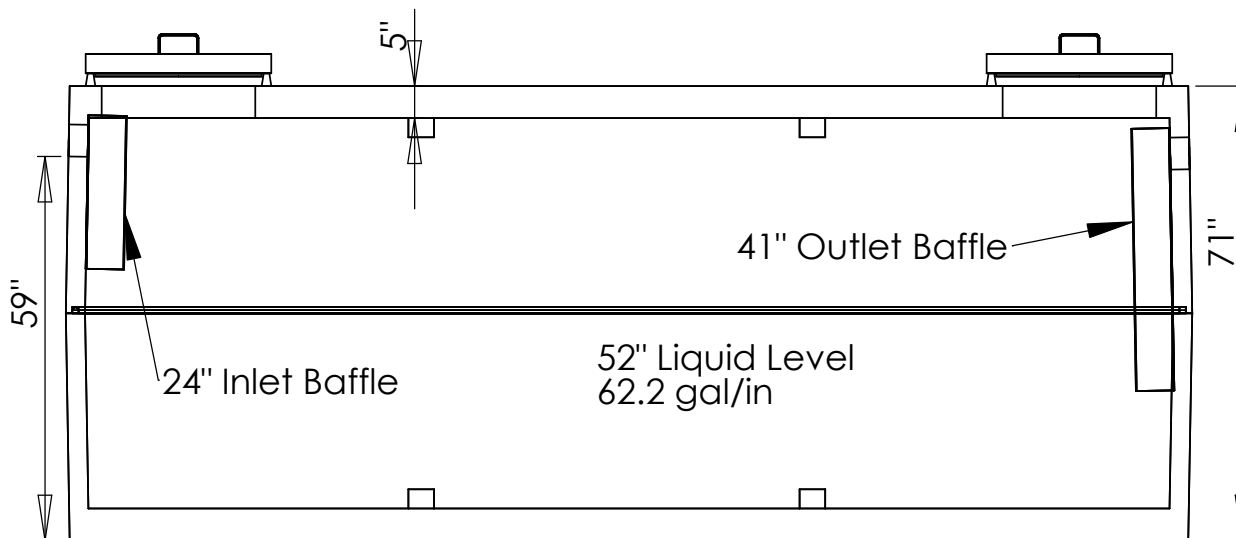
HEIGHT - 71"

BELOW INLET - 59"

BOTTOM SECTION WEIGHT - 12500 lb.

TOP SECTION WEIGHT - 12500 lb.

MAX DEPTH OF BURY 108"



Dalmaray Concrete Products Inc.

405 S. Arch St.
Janesville, WI 53548
(608)-752-6507
Toll Free: (888)-222-4541
Fax: (608)-752-5671