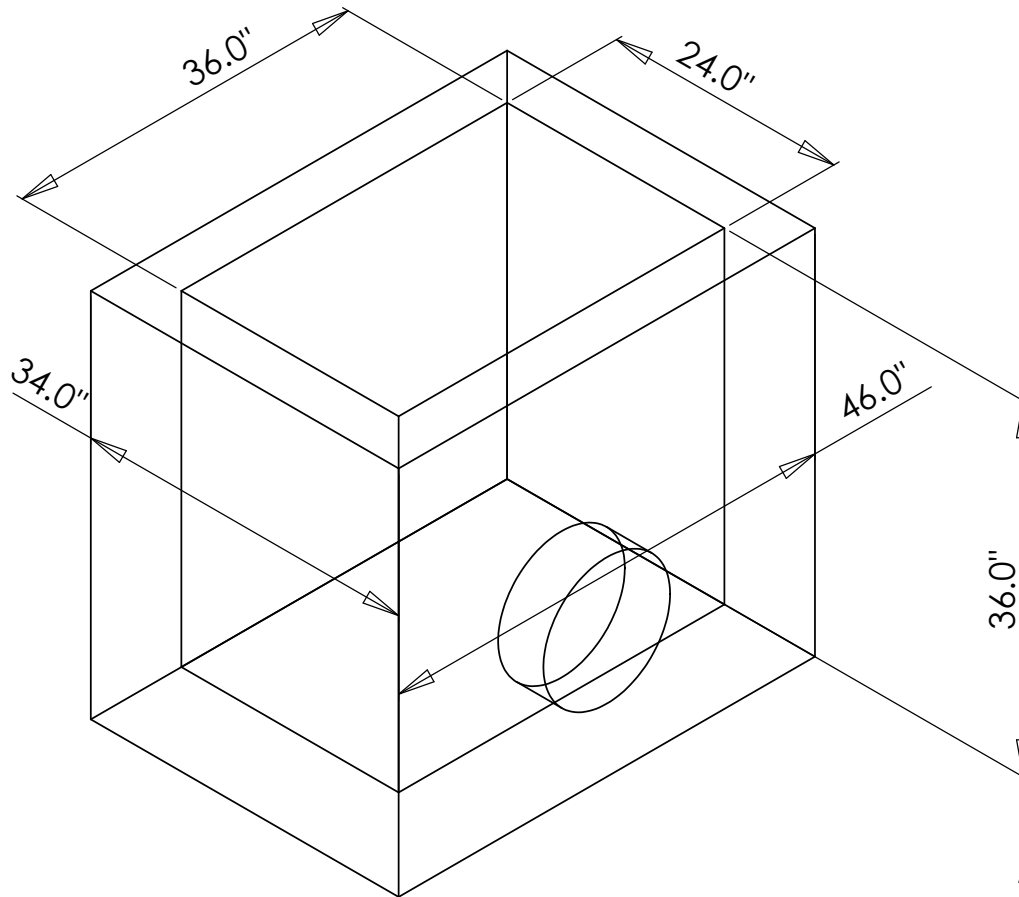


Dalmaray Concrete Products Inc. Curb Inlet Box



Standard 2' x 3' x 3' curb inlet box.
This particular drawing fits a 14"
opening in a typical location.
Other holes can be poured in.

***Dalmaray Concrete
Products Inc.***

405 S. Arch St.
Janesville, WI 53548
(608)-752-6507
Toll Free: (888)-222-4541
Fax: (608)-752-5671