

# Dalmaray Concrete Products Inc.

## Tank Model 1750/800

Model 1750/800 Septic, Holding,  
Septic/Pump or Siphon, or  
Grease Interceptor

1229 GPD WHEN USED AS A SEPTIC/SEPTIC  
TANK  
837 GPD WHEN USED AS A SEPTIC/PUMP  
OR SIPHON TANK  
BASED ON A 3 YR SERVICE INTERVAL

### **DIMENSIONS:**

LENGTH - 176"

WIDTH - 92"

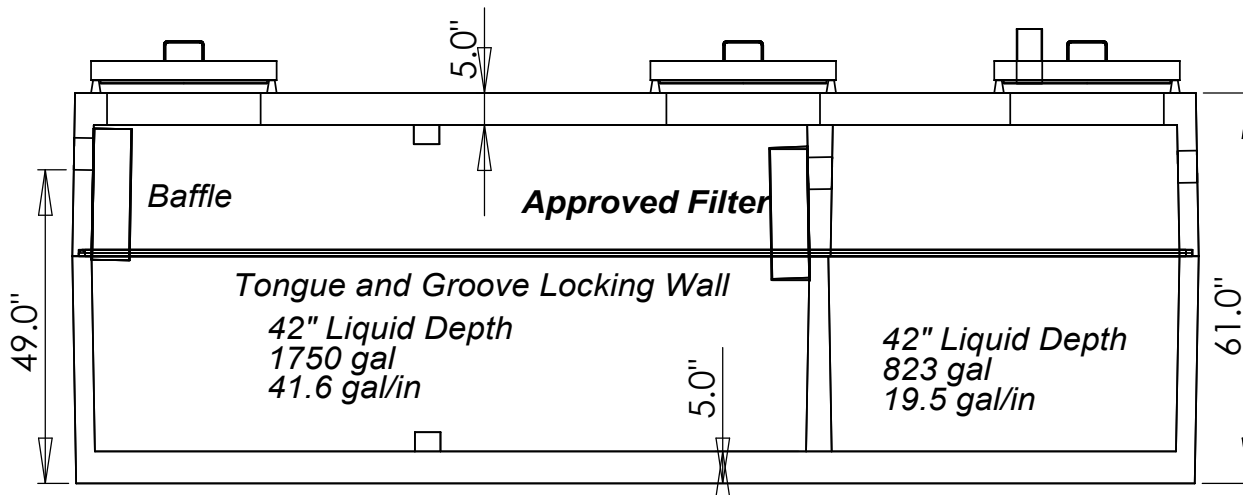
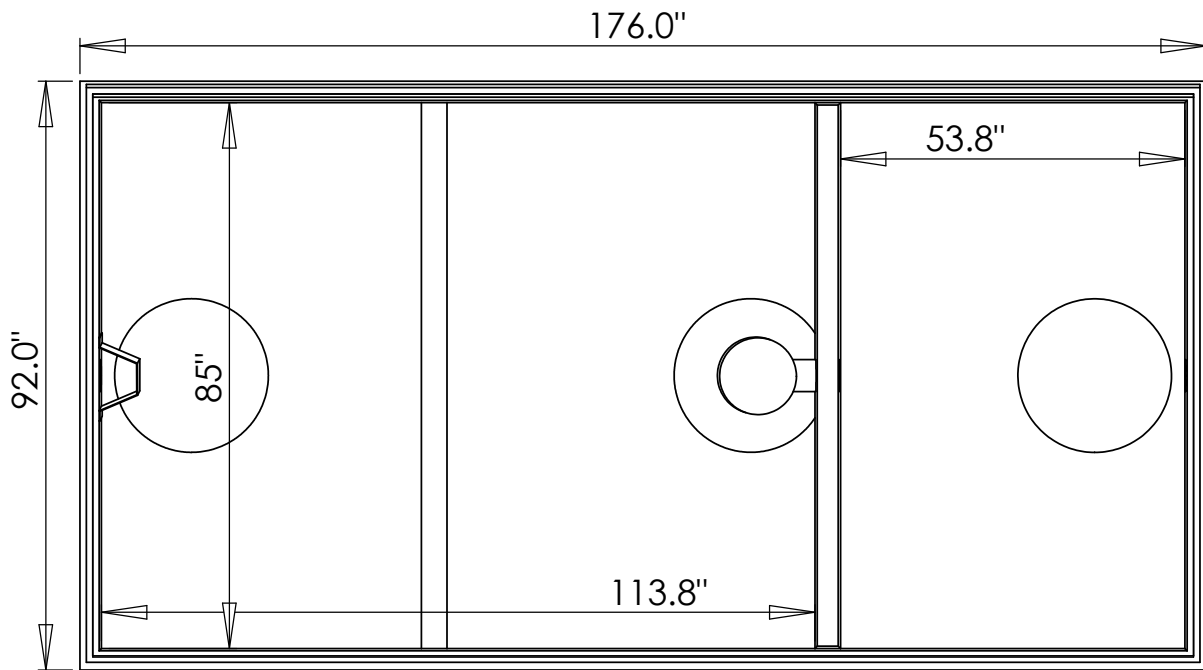
HEIGHT - 61"

BELOW INLET - 49"

BOTTOM SECTION WEIGHT - 12500 lb.

TOP SECTION WEIGHT - 11800 lb.

MAX DEPTH OF BURY 108"



# Dalmaray Concrete Products Inc.

405 S. Arch St.  
Janesville, WI 53548  
(608)-752-6507  
Toll Free: (888)-222-4541  
Fax: (608)-752-5671