

# Dalmaray Concrete Products Inc.

## Tank Model 1000/600

Model 1000/600 Septic/Pump, Septic/Siphon, or Holding

810 GPD as Septic/Septic  
503 GPD as Septic/Pump or Siphon

### DIMENSIONS:

LENGTH - 145"

WIDTH - 78"

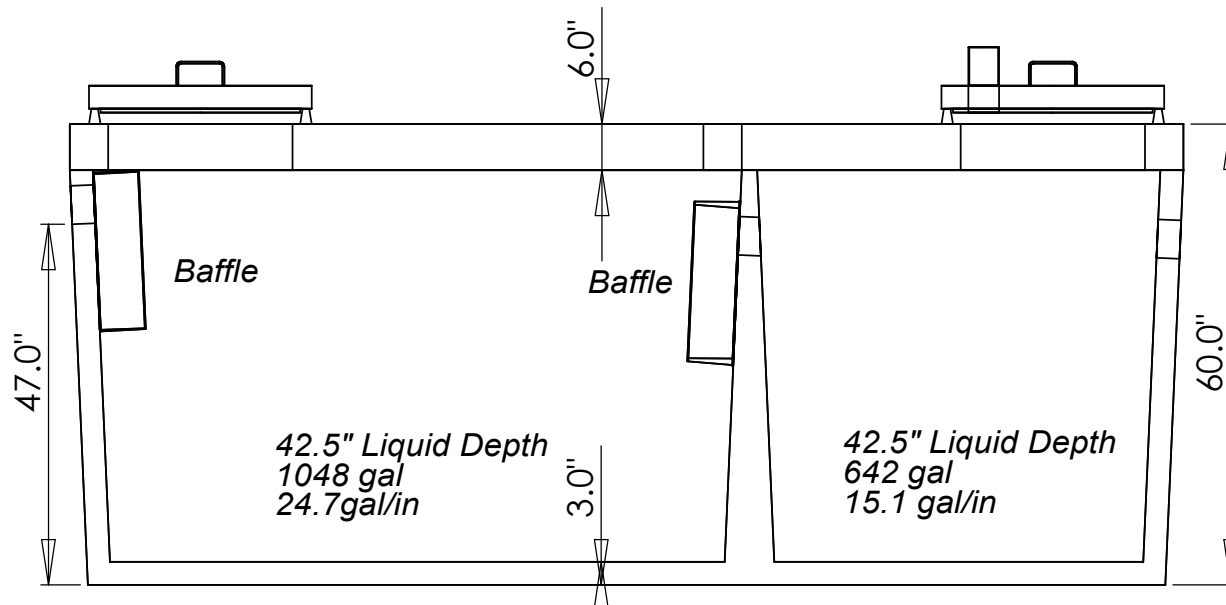
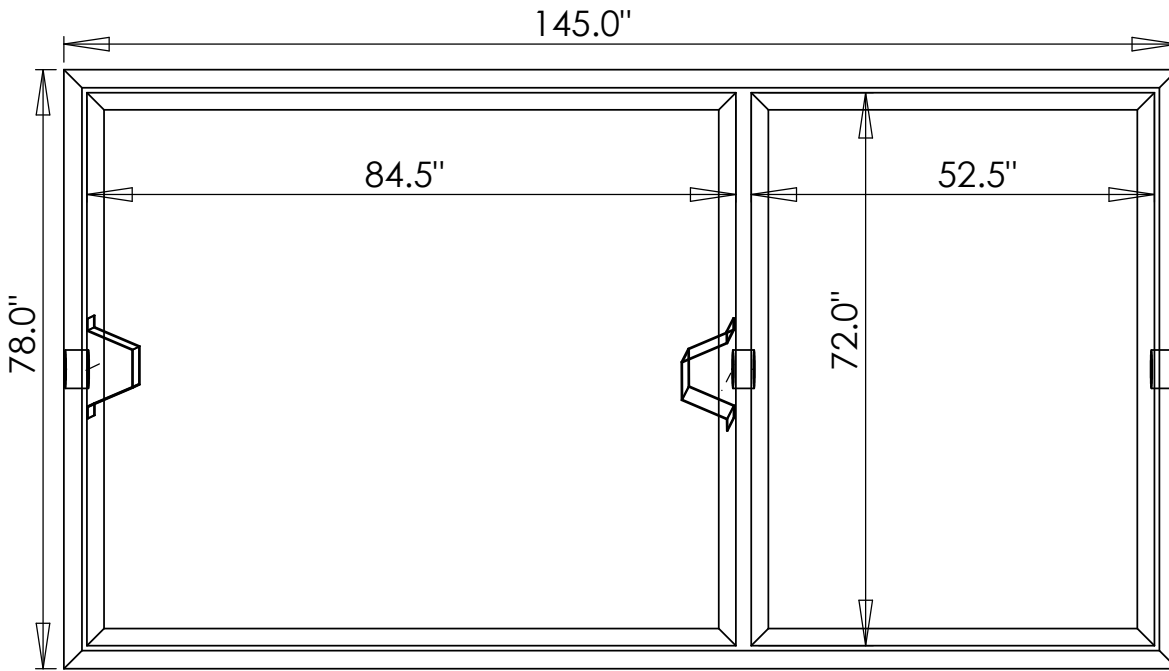
HEIGHT - 60"

BELOW INLET - 47"

TANK WEIGHT - 9600 lb.

LID WEIGHT - 6000 lb.

MAX DEPTH OF BURY 108"



# Dalmaray Concrete Products Inc.

405 S. Arch St.  
Janesville, WI 53548  
(608)-752-6507  
Toll Free: (888)-222-4541  
Fax: (608)-752-5671