

**Dalmaray Concrete  
Products Inc.  
Tank Model 1000/750  
3 Manholes**

*Model 1000/750 Septic/Septic,  
Septic/Pump, Septic/Siphon, Holding,  
or Grease Interceptor*

*859 GPD as Septic/Septic  
493 GPD as Septic/Pump or Siphon*

**DIMENSIONS:**

**LENGTH - 157"**

**WIDTH - 78"**

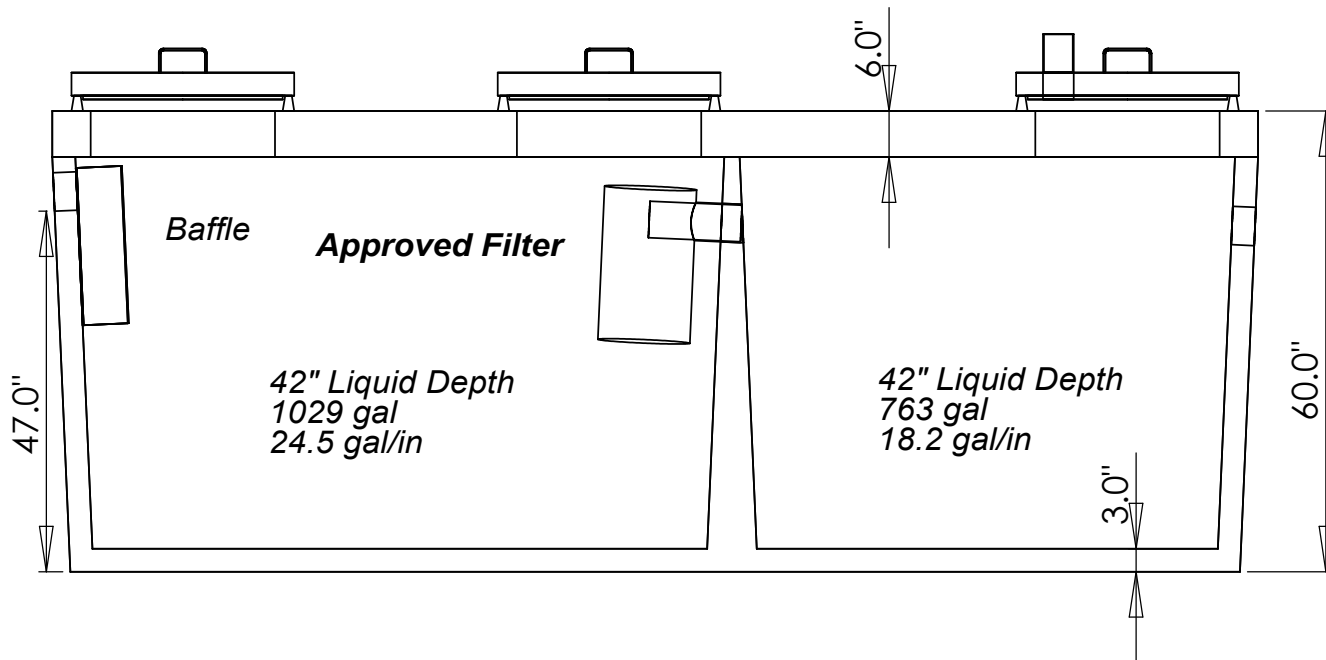
**HEIGHT - 60"**

**BELOW INLET - 47"**

**TANK WEIGHT - 11200 lb.**

**LID WEIGHT - 6500 lb.**

**MAX DEPTH OF BURY 108"**



**Dalmaray Concrete  
Products Inc.**

405 S. Arch St.  
Janesville, WI 53548  
(608)-752-6507  
Toll Free: (888)-222-4541  
Fax: (608)-752-5671