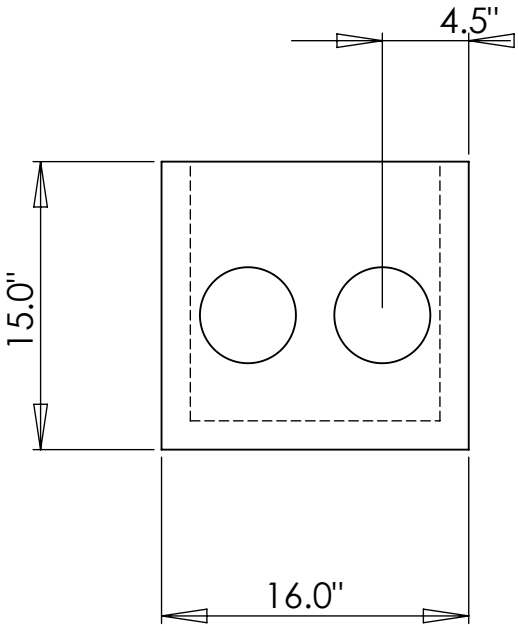
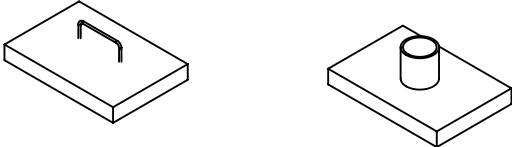
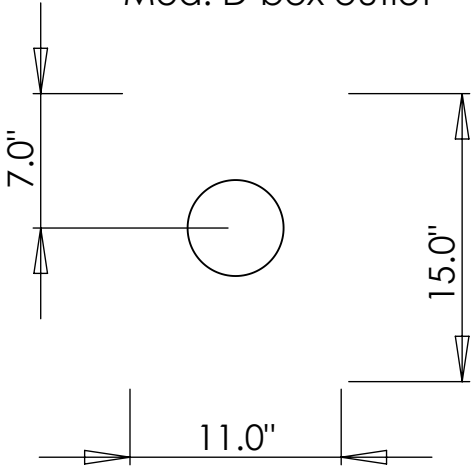


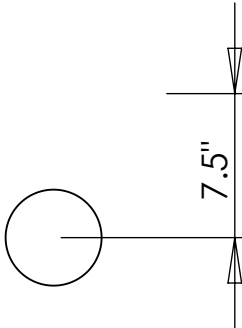
Covers for distribution box



Med. D-box outlet



Med. D-box Inlet



PROPRIETARY AND CONFIDENTIAL
 THE INFORMATION CONTAINED IN THIS
 DRAWING IS THE SOLE PROPERTY OF
 <INSERT COMPANY NAME HERE>. ANY
 REPRODUCTION IN PART OR AS A WHOLE
 WITHOUT THE WRITTEN PERMISSION OF
 Dalmaray Concrete Products IS
 PROHIBITED.

		UNLESS OTHERWISE SPECIFIED:		NAME	DATE	
		DIMENSIONS ARE IN INCHES		DRAWN	CDA	3/29/10
		TOLERANCES:		CHECKED		
		FRACTIONAL ±		ENG APPR.		TITLE:
		ANGULAR: MACH ± BEND ±		MFG APPR.		
		TWO PLACE DECIMAL ±		Q.A.		
		THREE PLACE DECIMAL ±		COMMENTS:		
		INTERPRET GEOMETRIC TOLERANCING PER:				SIZE DWG. NO. REV
		MATERIAL				A Med D-Box
NEXT ASSY	USED ON	FINISH				SCALE: 1:10 WEIGHT: SHEET 1 OF 1
APPLICATION		DO NOT SCALE DRAWING				